

Inquiry sheet for welding cutter

Company:

Clerk:

Street:

Ph./Faxno.:

PC/City:

eMail:

Manufacturer of the machine _____

Type _____

Year of construction _____

No. of machine _____

Diameter of borehole ϕ _____ mm

Wedge groove yes no

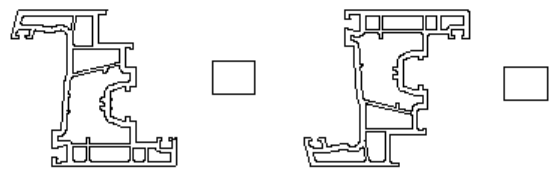
Basic diameter ϕ _____ mm

Profile put-on-side „frame“

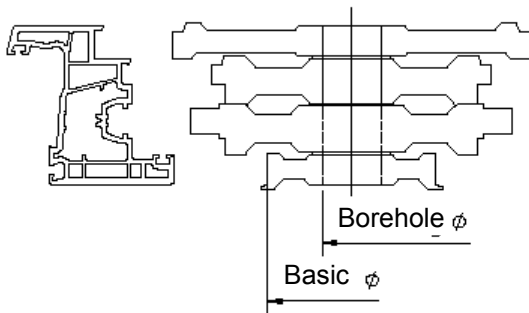


Machine-table

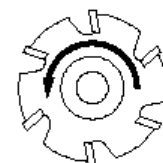
Profile put-on-side „casement“



Machine-table



right rotation



left rotation

Direction seen from above

Profile incl. seal yes no

Which kind of profile / system do you work on?

Profil no. / Profil system

Part no.
